

国标法兰闸阀
GB Flange gate valve

国标法兰闸阀
GB Flange gate valve

结构优势与特点 Structural advantages and characteristics

1. 符合国内外先进标准的要求, 密封可靠, 性能优良, 造型美观。
2. 闸板、阀座密封面用铁基合金堆焊或司太立 (stellite) 钴基硬质合金堆焊而成, 耐磨、耐高温、耐腐蚀、抗擦伤性能好、使用寿命长。
3. 采用楔式弹性闸板结构, 中大口径设置滚动轴承, 开关灵活, 启闭轻松。
4. 阀杆经调质及表面氮化处理, 有良好的抗腐蚀性, 抗擦伤性和耐磨性。
5. 可采用各种配管法兰标准及法兰密封面型式, 满足各种工程需要及用户要求。
6. 阀体材料品种齐全, 填料、垫片可根据实际工况或用户要求合理选配, 能适用于各种压力、温度及介质工况。

1. Meets the domestic and foreign advanced standard requirement, the seal is reliable, the performance is fine, handsome appearance.
2. The damper plate, the valve seat packing surface is too vertical (stellite) with the iron-base alloy built-up welding or the department the cobalt base hard alloy built-up welding to become, wear-resisting, thermostable, anti-corrosive, the anti-abrasion performance is good, the service life is long.
3. Using wedge-type flexible gate structure, medium and large caliber set bearings, switches flexible, open and close easily.
4. Stem quenched and the nitrogen treatment, with good corrosion resistance, scratch resistance and wear resistance.
5. Can be used with a variety of standard pipe flanges and flange sealing surface types to meet various project needs and user requirements.
6. Valve body materials, variety, packing, gasket can be based on actual working conditions or the user requests a reasonable option, can be applied to all kinds of pressure, temperature and medium conditions.

标准与规范 Standards and norms

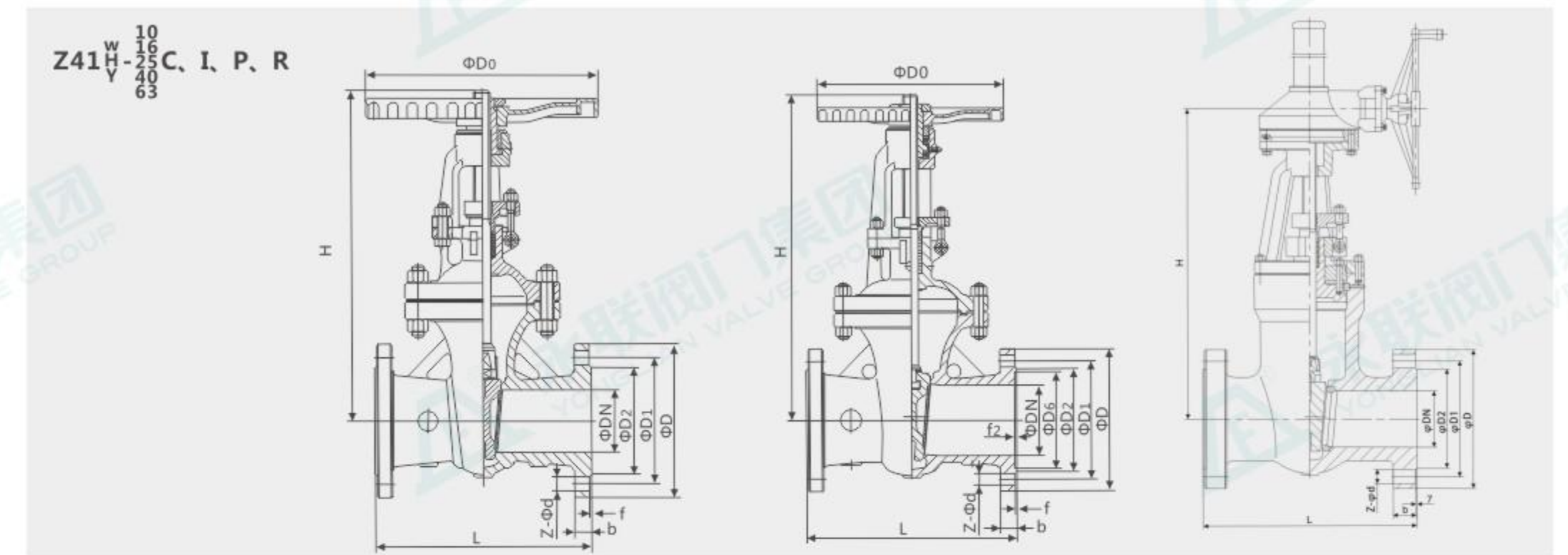
| 设计与制造 Design and Manufacture | 结构长度 Structure Length | 压力-温度等级 Pressure - temperature rating | 连接法兰 Connection flange | 试验与检验 Test and Inspection |
|---------------------------------|--------------------------|--|-------------------------------------|------------------------------|
| GB 12234 | GB 12221 | GB/T 12224 | JB/T 79 GB 9113 HG 20592 ~ 20635 | JB/T 9092 GB 13927 |

性能参数 Performance parameter

| 序号 Serial Number | 项目名称 Entry name | 项目名称 Entry name | | | | | |
|---------------------|--|--|------|------|------|-------|-------|
| | | PN16 | PN25 | PN40 | PN64 | PN100 | PN160 |
| 1 | 公称压力 PN(MPa) | 1.6 | 2.5 | 4.0 | 6.4 | 10 | 16 |
| 2 | 壳体强度试验压力 Shell strength test pressure(MPa) | 常温下公称压力的1.5倍 1.5 Times the nominal pressure at room temperature | | | | | |
| 3 | 高压密封试验压力 High-pressure sealing Test pressure(MPa) | 常温下公称压力的1.1倍 1.1 Times the nominal pressure at room temperature | | | | | |
| 4 | 常温下工作压力 Operating pressure at room temperature(MPa) | 按GB/T 12224 压力温度额定值 According to GB/T 12224 pressure temperature rating | | | | | |

主要零件材料 Main components material

| 名称 Name | 材料 Material | | | | | | | | |
|-------------------|----------------------|-------|------|-------|-------------|------|------|------|------|
| 阀体/阀盖 Body/Bonnet | CF8 | CF3 | CF8M | CF3M | WCB | LCB | WC6 | WC9 | C5 |
| 闸板 Wedge | CF8 | CF3 | CF8M | CF3M | WCB | LCB | WC6 | WC9 | C5 |
| 阀杆 Stem | F304 | F304L | F316 | F316L | 2CR13 | F304 | F304 | F304 | F304 |
| 阀杆螺母 Stem Nut | 铝青铜 Aluminium Bronze | | | | | | | | |
| 填料 Packing | PTFE/柔性石墨 | | | | 石墨 Graphite | | | | |
| 垫片 Gasket | PTFE/金属缠绕垫 | | | | 石墨 Graphite | | | | |
| 压盖 Gland | CF8 | CF3 | CF8M | CF3M | WCB | LCB | WC6 | WC9 | C5 |
| 螺栓 Bolt | 不锈钢 Stainless Steel | | | | 35CrMoA | | | | |
| 螺母 Nut | 不锈钢 Stainless Steel | | | | 45、35CrMoA | | | | |
| 手轮 Handwheel | 铸钢 Cast Steel | | | | | | | | |



PN10 国标法兰闸阀

JB/T79

| 公称通径 DN(mm) | 尺寸 Size(mm) | | | | | | | | 重量 (kg) |
|----------------|-------------|------|------|------|------|--------|------|-----|---------|
| | L | D | D1 | D2 | b-f | Z-φd | H | D0 | |
| 15 | 130 | 95 | 65 | 45 | 12-2 | 4-φ14 | 160 | 100 | 5 |
| 20 | 150 | 105 | 75 | 55 | 14-2 | 4-φ14 | 165 | 100 | 8 |
| 25 | 160 | 115 | 85 | 65 | 14-2 | 4-φ14 | 200 | 125 | 11 |
| 32 | 180 | 135 | 100 | 78 | 16-2 | 4-φ18 | 240 | 125 | 13 |
| 40 | 165 | 145 | 110 | 85 | 16-3 | 4-φ18 | 245 | 135 | 9.5 |
| 50 | 180 | 160 | 125 | 100 | 16-3 | 4-φ18 | 286 | 180 | 24 |
| 65 | 195 | 180 | 145 | 120 | 18-3 | 4-φ18 | 320 | 180 | 31 |
| 80 | 210 | 195 | 160 | 135 | 18-3 | 4-φ18 | 373 | 200 | 40 |
| 100 | 230 | 215 | 180 | 155 | 20-3 | 8-φ18 | 428 | 200 | 55 |
| 125 | 255 | 245 | 210 | 185 | 22-3 | 8-φ18 | 513 | 240 | 63 |
| 150 | 280 | 280 | 240 | 210 | 22-3 | 8-φ23 | 582 | 240 | 90 |
| 200 | 330 | 335 | 295 | 265 | 22-3 | 8-φ23 | 730 | 320 | 145 |
| 250 | 380 | 390 | 350 | 320 | 24-3 | 12-φ23 | 897 | 320 | 230 |
| 300 | 420 | 440 | 400 | 368 | 26-4 | 12-φ23 | 1032 | 400 | 330 |
| 350 | 450 | 500 | 460 | 428 | 26-4 | 16-φ23 | 1170 | 400 | 460 |
| 400 | 480 | 565 | 515 | 482 | 26-4 | 16-φ25 | 1330 | 500 | 500 |
| 450 | 510 | 615 | 565 | 532 | 26-4 | 20-φ25 | 1460 | 500 | 680 |
| 500 | 540 | 670 | 620 | 585 | 28-4 | 20-φ25 | 1650 | 500 | 960 |
| 600 | 600 | 780 | 725 | 685 | 28-5 | 20-φ30 | 183 | 600 | 1200 |
| 700 | 660 | 895 | 840 | 800 | 30-5 | 24-φ30 | 2120 | 700 | 1620 |
| 800 | 730 | 1010 | 950 | 905 | 32-5 | 24-φ34 | 2420 | 800 | 2090 |
| 900 | 800 | 1110 | 1050 | 1005 | 34-5 | 28-φ34 | 2750 | 850 | 3100 |
| 1000 | 850 | 1220 | 1160 | 1115 | 34-5 | 28-φ34 | 3130 | 900 | 4050 |

PN16 国标法兰闸阀

JB/T79

| | | | | | | | | | |
|------|------|------|------|------|------|--------|------|------|------|
| 15 | 130 | 95 | 65 | 45 | 14-2 | 4-φ14 | 170 | 120 | 5 |
| 20 | 150 | 105 | 75 | 55 | 14-2 | 4-φ14 | 190 | 140 | 6.5 |
| 25 | 160 | 115 | 85 | 65 | 14-2 | 4-φ14 | 205 | 160 | 9 |
| 32 | 180 | 135 | 100 | 78 | 16-2 | 4-φ18 | 270 | 180 | 12 |
| 40 | 200 | 145 | 110 | 85 | 16-3 | 4-φ18 | 290 | 200 | 26.5 |
| 50 | 250 | 160 | 125 | 100 | 16-3 | 4-φ18 | 310 | 240 | 29 |
| 65 | 265 | 180 | 145 | 120 | 18-3 | 4-φ18 | 373 | 240 | 33 |
| 80 | 280 | 195 | 160 | 135 | 20-3 | 8-φ18 | 435 | 280 | 45 |
| 100 | 300 | 215 | 180 | 155 | 20-3 | 8-φ18 | 445 | 300 | 63 |
| 125 | 325 | 245 | 210 | 185 | 22-3 | 8-φ18 | 570 | 320 | 108 |
| 150 | 350 | 280 | 240 | 210 | 24-3 | 8-φ23 | 630 | 360 | 134 |
| 200 | 400 | 335 | 295 | 265 | 26-3 | 12-φ23 | 735 | 400 | 192 |
| 250 | 450 | 405 | 355 | 320 | 30-3 | 12-φ25 | 969 | 450 | 273 |
| 300 | 500 | 460 | 410 | 375 | 30-4 | 12-φ25 | 976 | 580 | 379 |
| 350 | 550 | 520 | 470 | 435 | 34-4 | 16-φ25 | 1120 | 640 | 500 |
| 400 | 600 | 580 | 525 | 485 | 36-4 | 16-φ30 | 1452 | 640 | 540 |
| 450 | 650 | 640 | 585 | 545 | 40-4 | 20-φ30 | 1541 | 720 | 870 |
| 500 | 700 | 705 | 650 | 608 | 44-4 | 20-φ34 | 1880 | 720 | 1100 |
| 600 | 800 | 840 | 770 | 718 | 48-5 | 20-φ36 | 1874 | 800 | 1570 |
| 700 | 900 | 910 | 840 | 788 | 50-5 | 24-φ41 | 2083 | 800 | 1870 |
| 800 | 1000 | 1020 | 950 | 898 | 52-5 | 24-φ41 | 2400 | 850 | 2500 |
| 900 | 1100 | 1120 | 1050 | 998 | 54-5 | 28-φ41 | 2950 | 1000 | 3620 |
| 1000 | 1200 | 1255 | 1170 | 1110 | 56-5 | 28-φ48 | 3245 | 1000 | 4550 |

国标法兰闸阀
GB Flange gate valve

PN25 国标法兰闸阀

JB/T79

| 公称通径 DN(mm) | 尺寸Size(mm) | | | | | | | | | | 重量 (kg) |
|----------------|------------|------|------|------|------|--------|------|------|--|--|---------|
| | L | D | D1 | D2 | b-f | Z-Φd | H | D0 | | | |
| 15 | 130 | 95 | 65 | 45 | 16-2 | 4-Φ14 | 170 | 120 | | | 5.5 |
| 20 | 150 | 105 | 75 | 55 | 16-2 | 4-Φ14 | 190 | 140 | | | 7 |
| 25 | 160 | 115 | 85 | 65 | 16-2 | 4-Φ14 | 205 | 160 | | | 11 |
| 32 | 180 | 135 | 100 | 78 | 18-2 | 4-Φ18 | 270 | 180 | | | 14 |
| 40 | 200 | 145 | 110 | 85 | 18-3 | 4-Φ18 | 310 | 200 | | | 20 |
| 50 | 250 | 160 | 125 | 100 | 20-3 | 4-Φ18 | 358 | 240 | | | 34 |
| 65 | 265 | 180 | 145 | 120 | 22-3 | 8-Φ18 | 373 | 240 | | | 36 |
| 80 | 280 | 195 | 160 | 135 | 22-3 | 8-Φ18 | 435 | 280 | | | 50 |
| 100 | 300 | 230 | 190 | 160 | 24-3 | 8-Φ23 | 500 | 300 | | | 69 |
| 125 | 325 | 270 | 220 | 188 | 28-3 | 8-Φ25 | 614 | 320 | | | 116 |
| 150 | 350 | 300 | 250 | 218 | 30-3 | 8-Φ25 | 674 | 360 | | | 141 |
| 200 | 400 | 360 | 310 | 278 | 34-3 | 12-Φ25 | 811 | 400 | | | 192 |
| 250 | 450 | 425 | 370 | 332 | 36-3 | 12-Φ30 | 969 | 450 | | | 207 |
| 300 | 500 | 485 | 430 | 390 | 40-4 | 16-Φ30 | 1145 | 580 | | | 350 |
| 350 | 550 | 550 | 490 | 448 | 44-4 | 16-Φ34 | 1280 | 640 | | | 560 |
| 400 | 600 | 610 | 550 | 505 | 48-4 | 16-Φ34 | 1452 | 640 | | | 650 |
| 450 | 650 | 660 | 600 | 555 | 50-4 | 20-Φ34 | 1541 | 720 | | | 910 |
| 500 | 700 | 730 | 660 | 610 | 52-4 | 20-Φ41 | 1676 | 720 | | | 1166 |
| 600 | 800 | 840 | 770 | 718 | 56-5 | 20-Φ41 | 1874 | 800 | | | 1650 |
| 700 | 900 | 955 | 875 | 815 | 60-5 | 24-Φ48 | 2083 | 800 | | | 1980 |
| 800 | 1000 | 1070 | 990 | 930 | 64-5 | 24-Φ48 | 2400 | 950 | | | 2740 |
| 900 | 1100 | 1180 | 1090 | 1025 | 66-5 | 28-Φ54 | 2950 | 1000 | | | 3900 |
| 1000 | 1200 | 1305 | 1210 | 1140 | 68-5 | 28-Φ58 | 3245 | 1000 | | | 4850 |

PN40 国标法兰闸阀

JB/T79

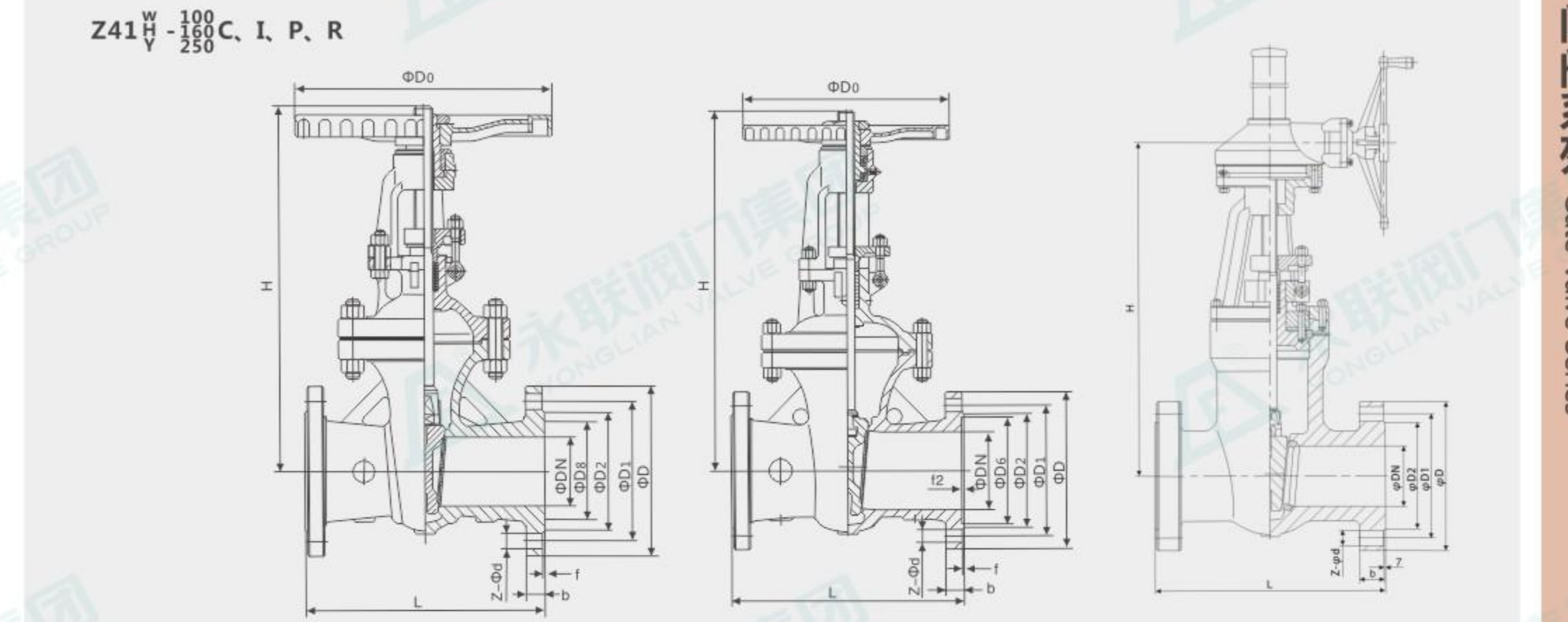
| 公称通径 DN(mm) | 尺寸Size(mm) | | | | | | | | | | 重量 (kg) |
|----------------|------------|------|------|-----|-----|------|-----|-------|------|-----|---------|
| | L | D | D1 | D2 | D6 | b-f | f1 | Z-Φd | H | D0 | |
| 15 | 130 | 95 | 65 | 45 | 40 | 16-2 | 4 | 4-14 | 135 | 120 | 6 |
| 20 | 150 | 105 | 75 | 55 | 51 | 16-2 | 4 | 4-14 | 190 | 140 | 8 |
| 25 | 160 | 115 | 85 | 65 | 58 | 16-2 | 4 | 4-14 | 205 | 160 | 12 |
| 32 | 180 | 135 | 100 | 78 | 66 | 18-2 | 4 | 4-18 | 270 | 180 | 15 |
| 40 | 200 | 145 | 110 | 85 | 76 | 18-3 | 4 | 4-18 | 310 | 200 | 31 |
| 50 | 250 | 160 | 125 | 100 | 88 | 20-3 | 4 | 4-18 | 371 | 280 | 34 |
| 65 | 280 | 180 | 145 | 120 | 110 | 22-3 | 4 | 8-18 | 391 | 280 | 39 |
| 80 | 310 | 195 | 160 | 135 | 121 | 22-3 | 4 | 8-18 | 455 | 320 | 52 |
| 100 | 350 | 230 | 190 | 160 | 150 | 24-3 | 4.5 | 8-23 | 551 | 360 | 80 |
| 125 | 400 | 270 | 220 | 188 | 176 | 28-3 | 4.5 | 8-25 | 628 | 400 | 127 |
| 150 | 450 | 300 | 250 | 218 | 204 | 30-3 | 4.5 | 8-25 | 708 | 400 | 154 |
| 200 | 550 | 375 | 320 | 282 | 260 | 38-3 | 4.5 | 12-30 | 885 | 450 | 263 |
| 250 | 650 | 445 | 385 | 345 | 313 | 42-3 | 4.5 | 12-34 | 906 | 560 | 368 |
| 300 | 750 | 510 | 450 | 408 | 364 | 46-4 | 4.5 | 16-34 | 1203 | 640 | 547 |
| 350 | 850 | 570 | 510 | 465 | 422 | 52-4 | 5 | 16-34 | 1341 | 640 | 679 |
| 400 | 950 | 655 | 585 | 535 | 474 | 58-4 | 5 | 16-41 | 1492 | 720 | 953 |
| 500 | 1150 | 755 | 670 | 612 | 576 | 62-4 | 5 | 20-48 | 1627 | / | 1073 |
| 600 | 1350 | 890 | 795 | 730 | 678 | 62-5 | 6 | 20-54 | 1925 | / | 1490 |
| 700 | 1450 | 995 | 900 | 835 | 768 | 68-5 | 6 | 24-54 | 2310 | / | 2640 |
| 800 | 1650 | 1135 | 1030 | 960 | 876 | 76-5 | 6 | 24-58 | 2600 | / | 3239 |

PN63 国标法兰闸阀

JB/T79

| | | | | | | | | | | | |
|-----|------|-----|-----|-----|-----|------|-----|-------|------|------|------|
| 15 | 170 | 105 | 75 | 55 | 40 | 18-2 | 4 | 4-14 | 140 | 100 | 7 |
| 20 | 190 | 125 | 90 | 68 | 51 | 20-2 | 4 | 4-18 | 140 | 100 | 9 |
| 25 | 210 | 135 | 100 | 78 | 58 | 22-2 | 4 | 4-18 | 215 | 180 | 12 |
| 32 | 230 | 150 | 110 | 82 | 66 | 24-2 | 4 | 4-23 | 270 | 180 | 16 |
| 40 | 240 | 165 | 125 | 95 | 76 | 24-3 | 4 | 4-23 | 345 | 200 | 32 |
| 50 | 250 | 175 | 135 | 105 | 88 | 26-3 | 4 | 4-23 | 470 | 200 | 39 |
| 65 | 280 | 200 | 160 | 130 | 110 | 28-3 | 4 | 8-23 | 520 | 250 | 43 |
| 80 | 310 | 210 | 170 | 140 | 121 | 30-3 | 4.5 | 8-23 | 570 | 300 | 60 |
| 100 | 350 | 250 | 200 | 168 | 150 | 32-3 | 4.5 | 8-25 | 700 | 300 | 89 |
| 125 | 400 | 295 | 240 | 202 | 176 | 36-3 | 4.5 | 8-30 | 780 | 350 | 140 |
| 150 | 450 | 340 | 280 | 240 | 204 | 38-3 | 4.5 | 8-34 | 850 | 350 | 207 |
| 200 | 550 | 405 | 345 | 300 | 260 | 44-3 | 4.5 | 12-34 | 1035 | 400 | 325 |
| 250 | 650 | 470 | 400 | 352 | 313 | 48-3 | 4.5 | 12-41 | 1050 | 560 | 467 |
| 300 | 750 | 530 | 460 | 412 | 364 | 54-4 | 4.5 | 16-41 | 1470 | 640 | 590 |
| 350 | 850 | 595 | 525 | 475 | 422 | 60-4 | 5 | 16-41 | 1718 | 700 | 773 |
| 400 | 950 | 670 | 585 | 525 | 474 | 66-4 | 5 | 16-48 | 1885 | 750 | 1050 |
| 500 | 1150 | 800 | 705 | 640 | 576 | 70-4 | 5 | 20-54 | 2410 | 850 | 1775 |
| 600 | 1350 | 930 | 820 | 750 | 678 | 76-5 | 6 | 20-58 | 2895 | 1000 | 2960 |

国标法兰闸阀
GB Flange gate valve



PN100 国标法兰闸阀

JB/T79

| 公称通径 DN(mm) | 尺寸Size(mm) | | | | | | | | | | 重量 Weight (kg) |
|----------------|------------|-----|-----|-----|-----|-----|----|-------|------|-----|----------------------|
| | L | D | D1 | D2 | D8 | D6 | b | Z-Φd | H | D0 | |
| 15 | 170 | 105 | 75 | 55 | 35 | 40 | 20 | 4-14 | 140 | 120 | 6.5 |
| 20 | 190 | 125 | 90 | 68 | 45 | 51 | 22 | 4-18 | 140 | 120 | 9 |
| 25 | 210 | 135 | 100 | 78 | 50 | 58 | 24 | 4-18 | 310 | / | 13 |
| 32 | 230 | 150 | 110 | 82 | 65 | 66 | 24 | 4-23 | 320 | / | 20 |
| 40 | 240 | 165 | 125 | 95 | 75 | 76 | 26 | 4-23 | 360 | / | 60 |
| 50 | 250 | 195 | 145 | 112 | 85 | 88 | 28 | 4-25 | 490 | 360 | 50 |
| 65 | 280 | 220 | 170 | 138 | 110 | 110 | 32 | 8-25 | 540 | 400 | 70 |
| 80 | 310 | 230 | 180 | 148 | 115 | 121 | 34 | 8-25 | 572 | 400 | 100 |
| 100 | 350 | 265 | 210 | 172 | 145 | 150 | 38 | 8-30 | 573 | 400 | 110 |
| 125 | 400 | 310 | 250 | 210 | 175 | 176 | 42 | 8-34 | 744 | 560 | 180 |
| 150 | 450 | 350 | 290 | 250 | 205 | 204 | 46 | 12-34 | 800 | 560 | 250 |
| 200 | 550 | 430 | 360 | 312 | 265 | 260 | 54 | 12-41 | 800 | 560 | 360 |
| 250 | 650 | 500 | 430 | 382 | 320 | 313 | 60 | 12-41 | 1050 | 640 | 560 |
| 300 | 750 | 585 | 500 | 442 | 375 | 364 | 70 | 16-48 | 1200 | 720 | 795 |
| 350 | 850 | 655 | 560 | 498 | 420 | 422 | 76 | 16-54 | 1430 | 800 | 1155 |
| 400 | 950 | 715 | 620 | 558 | 480 | 474 | 80 | 16-54 | 1743 | 850 | 1370 |
| 500 | 1150 | 815 | 724 | 635 | 584 | 576 | 89 | 24-54 | 285 | 900 | 1785 |

PN160 国标法兰闸阀

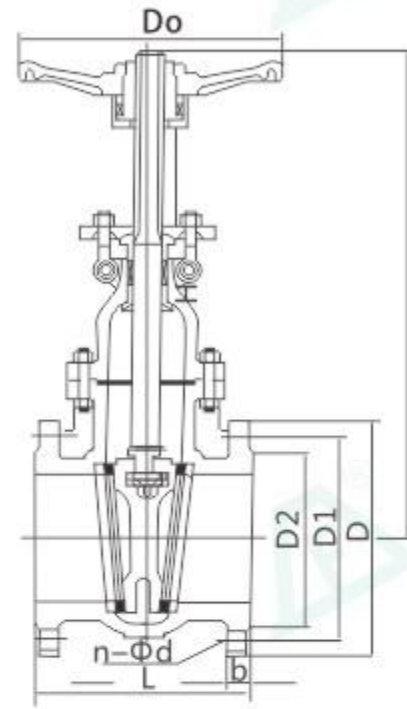
JB/T79

| | | | | | | | | | | | |
|-----|-----|-----|-----|-----|-----|-----|-----|-------|------|-----|------|
| 15 | 170 | 110 | 75 | 52 | 35 | 40 | 24 | 4-18 | 230 | 200 | 7 |
| 20 | 190 | 130 | 90 | 62 | 45 | 51 | 26 | 4-23 | 260 | 200 | 10 |
| 25 | 210 | 140 | 100 | 72 | 50 | 58 | 28 | 4-23 | 280 | 280 | 14 |
| 32 | 230 | 165 | 115 | 85 | 65 | 66 | 30 | 4-25 | 312 | 320 | 21 |
| 40 | 260 | 175 | 125 | 92 | 75 | 76 | 32 | 4-27 | 350 | 320 | 26 |
| 50 | 300 | 215 | 165 | 132 | 95 | 88 | 36 | 8-25 | 512 | 360 | 73 |
| 65 | 340 | 245 | 190 | 152 | 110 | 110 | 44 | 8-30 | 560 | 360 | 110 |
| 80 | 390 | 260 | 205 | 168 | 130 | 121 | 46 | 8-30 | 585 | 400 | 141 |
| 100 | 450 | 300 | 240 | 200 | 160 | 150 | 48 | 8-34 | 631 | 450 | 185 |
| 125 | 525 | 355 | 285 | 238 | 190 | 176 | 60 | 8-41 | 723 | 560 | 320 |
| 150 | 600 | 390 | 318 | 270 | 205 | 204 | 66 | 12-41 | 820 | 640 | 462 |
| 200 | 750 | 480 | 400 | 345 | 275 | 260 | 78 | 12-48 | 990 | 720 | 711 |
| 250 | 838 | 580 | 485 | 425 | 330 | 313 | 88 | 12-54 | 1120 | 800 | 1010 |
| 300 | 965 | 665 | 570 | 510 | 380 | 364 | 100 | 16-54 | 1300 | 850 | 1430 |

美标法兰闸阀
ANSI Flange gate valve

Z41 W- 150Lb

- 一、产品概述:
法兰连接钢制闸阀适用于ANSI Class150~900、PN2.0~16.0MPa、JIS10~20K,工作温度-29~425°C(碳钢)及-40~500°C(不锈钢)的各种管路上,用于截断或接通管路中的介质。通过选用不同的材质,可适用于水、蒸汽、油品、硝酸、醋酸、强氧化性介质及尿素等多种介质。有手动、伞齿轮传动及电动等。
- 二、结构特点:
1、产品设计制造符合国外先进标准要求,密封可靠,性能优良。
2、结构设计紧凑合理,造型美观。
3、采用楔式弹性闸板结构,中大口径设置滚动轴承,启闭轻松。
4、阀体材料品种齐全,填料、垫片根据实际工况或用户要求合理选配,可适用于各种压力、温度及介质工况。
5、采用国内外多种配管法兰标准及法兰密封面型式,满足各种工程需要及用户要求。



1. Product Overview:
Flange connected steel gate valves are suitable for pipelines with ANSI Class150~900, PN2.0~16.0MPa, JIS10~20K, and operating temperatures of -29~425 °C (carbon steel) and -40~500 °C (stainless steel). They are used to cut off or connect the medium in the pipeline. By selecting different materials, it can be suitable for various media such as water, steam, oil, nitric acid, acetic acid, strong oxidizing media, and urea. There are manual, bevel gear transmission, and electric transmission.
2. Structural features:
1. The product design and manufacturing meet the requirements of advanced foreign standards, with reliable sealing and excellent performance.
2. The structural design is compact and reasonable, with a beautiful appearance.
3. Adopting a wedge type elastic gate structure and equipped with rolling bearings for medium and large diameters, it is easy to open and close.
4. The valve body material variety is complete, and the packing and gasket are reasonably selected according to actual working conditions or user requirements, which can be suitable for various pressure, temperature, and medium working conditions.
5. Adopting various domestic and foreign piping flange standards and flange sealing surface types to meet various engineering needs and user requirements.

主要零件材料Main components material

| 名称 Name | 材料 Material | | | | | | | | |
|-------------------|----------------------|-------|------|-------|-------------|------|------|------|------|
| 阀体/阀盖 Body/Bonnet | CF8 | CF3 | CF8M | CF3M | WCB | LCB | WC6 | WC9 | C5 |
| 闸板 Wedge | CF8 | CF3 | CF8M | CF3M | WCB | LCB | WC6 | WC9 | C5 |
| 阀杆 Stem | F304 | F304L | F316 | F316L | 2CR13 | F304 | F304 | F304 | F304 |
| 阀杆螺母 Stem Nut | 铝青铜 Aluminium Bronze | | | | | | | | |
| 填料 Packing | PTFE/柔性石墨 | | | | 石墨 Graphite | | | | |
| 垫片 Gasket | PTFE/金属缠绕垫 | | | | 石墨 Graphite | | | | |
| 压盖 Gland | CF8 | CF3 | CF8M | CF3M | WCB | LCB | WC6 | WC9 | C5 |
| 螺栓 Bolt | 不锈钢 Stainless Steel | | | | 35CrMoA | | | | |
| 螺母 Nut | 不锈钢 Stainless Steel | | | | 45、35CrMoA | | | | |
| 手轮 Handwheel | 铸钢 Cast Steel | | | | | | | | |

四、主要外形尺寸及连接尺寸Main external and connection dimension

Class 150LB 美标法兰闸阀

| 规格 inch | 尺寸(mm) | | | | | | | | |
|---------|--------|-----|-----|-------|-----|----|--------|------|-----|
| | DN | L | D | D1 | D2 | b | z-Φd | H | D0 |
| 1/2" | 15 | 108 | 89 | 60.5 | 35 | 12 | 4-Φ15 | 155 | 120 |
| 3/4" | 20 | 117 | 98 | 70 | 43 | 12 | 4-Φ15 | 160 | 120 |
| 1" | 25 | 127 | 108 | 79.5 | 51 | 12 | 4-Φ15 | 200 | 140 |
| 1 1/4" | 32 | 140 | 117 | 89 | 64 | 13 | 4-Φ15 | 245 | 160 |
| 1 1/2" | 40 | 165 | 127 | 98.5 | 73 | 15 | 4-Φ15 | 285 | 180 |
| 2" | 50 | 178 | 152 | 120.5 | 92 | 16 | 4-Φ19 | 315 | 200 |
| 2 1/2" | 65 | 190 | 178 | 139.5 | 105 | 18 | 4-Φ19 | 375 | 220 |
| 3" | 80 | 203 | 190 | 152.5 | 127 | 19 | 4-Φ19 | 400 | 240 |
| 4" | 100 | 229 | 229 | 190.5 | 157 | 24 | 8-Φ19 | 460 | 280 |
| 5" | 125 | 254 | 254 | 216 | 186 | 24 | 8-Φ22 | 540 | 300 |
| 6" | 150 | 267 | 279 | 241.5 | 216 | 26 | 8-Φ22 | 620 | 320 |
| 8" | 200 | 292 | 343 | 298.5 | 270 | 29 | 8-Φ22 | 800 | 400 |
| 10" | 250 | 330 | 406 | 362 | 324 | 31 | 12-Φ25 | 850 | 450 |
| 12" | 300 | 356 | 483 | 432 | 381 | 32 | 12-Φ25 | 1000 | 500 |
| 14" | 350 | 381 | 533 | 476 | 413 | 35 | 12-Φ29 | 1300 | 600 |
| 16" | 400 | 406 | 597 | 540 | 470 | 37 | 16-Φ29 | 1400 | 600 |
| 18" | 450 | 432 | 635 | 578 | 533 | 40 | 16-Φ32 | 1600 | 650 |
| 20" | 500 | 457 | 398 | 635 | 584 | 43 | 20-Φ32 | 1850 | 650 |
| 24" | 600 | 508 | 813 | 749.5 | 692 | 48 | 20-Φ35 | 2200 | 700 |

美标法兰闸阀
ANSI Flange gate valve

Class 300LB 美标法兰闸阀

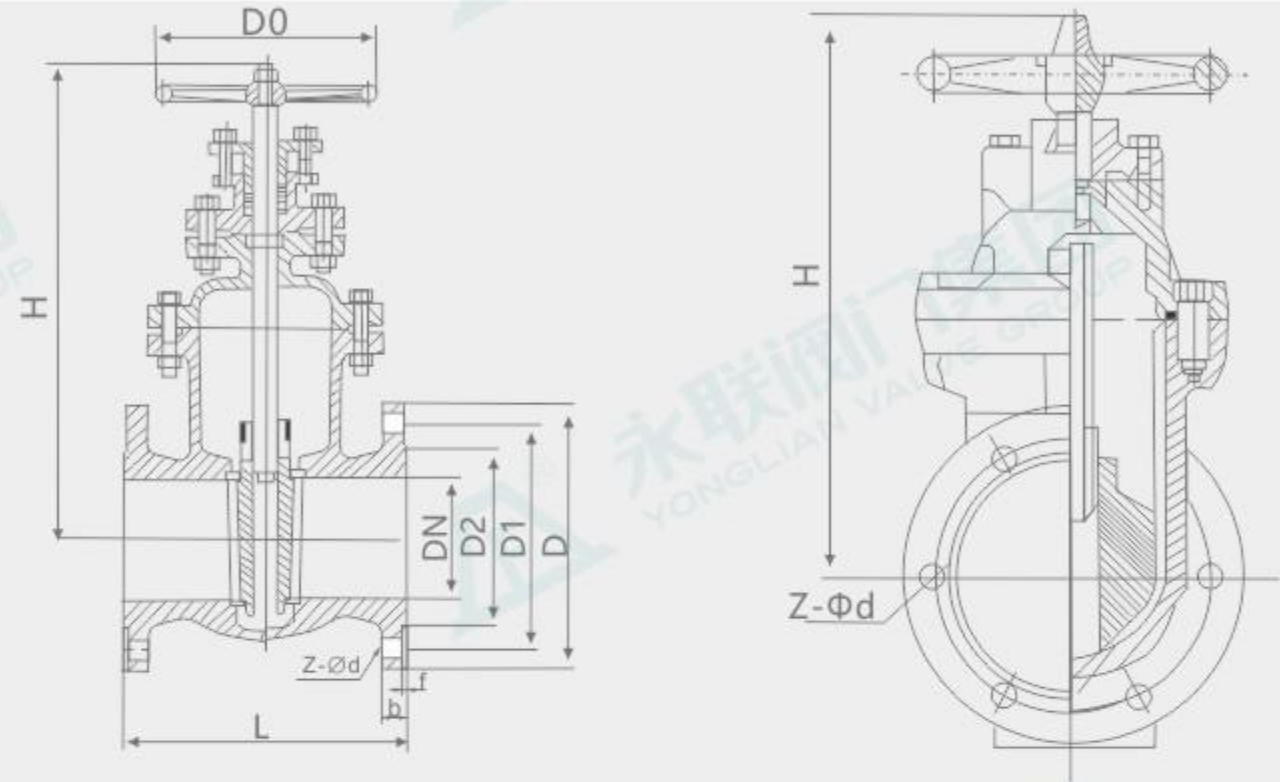
| 规格 inch | 尺寸(mm) | | | | | | | | |
|---------|--------|------|-----|-------|-----|----|--------|------|-----|
| | DN | L | D | D1 | D2 | B | Z-Φd | H | H |
| 1/2" | 15 | 140 | 95 | 66.5 | 35 | 15 | 4-Φ15 | 155 | 120 |
| 3/4" | 20 | 152 | 117 | 82.5 | 43 | 16 | 4-Φ19 | 160 | 120 |
| 1" | 25 | 165 | 124 | 89 | 51 | 18 | 4-Φ19 | 200 | 140 |
| 1 1/4" | 32 | 178 | 133 | 98.5 | 64 | 19 | 4-Φ19 | 250 | 160 |
| 1 1/2" | 40 | 190 | 156 | 114.5 | 73 | 21 | 4-Φ22 | 290 | 180 |
| 2" | 50 | 216 | 165 | 127 | 92 | 22 | 8-Φ19 | 330 | 200 |
| 2" | 65 | 241 | 190 | 149 | 105 | 25 | 8-Φ22 | 385 | 220 |
| 3" | 80 | 283 | 210 | 168.5 | 127 | 29 | 8-Φ22 | 410 | 240 |
| 4" | 100 | 305 | 254 | 200 | 157 | 32 | 8-Φ22 | 480 | 280 |
| 5" | 125 | 381 | 279 | 235 | 186 | 35 | 8-Φ22 | 630 | 300 |
| 6" | 150 | 403 | 318 | 270 | 216 | 37 | 12-Φ22 | 690 | 320 |
| 8" | 200 | 419 | 381 | 330 | 270 | 41 | 12-Φ25 | 830 | 400 |
| 10" | 250 | 457 | 445 | 387.5 | 324 | 48 | 16-Φ29 | 1003 | 450 |
| 12" | 300 | 502 | 521 | 451 | 381 | 51 | 16-Φ32 | 1137 | 500 |
| 14" | 350 | 762 | 584 | 514.5 | 413 | 54 | 20-Φ32 | 1489 | 600 |
| 16" | 400 | 838 | 648 | 571.5 | 470 | 57 | 20-Φ35 | 1581 | 600 |
| 18" | 450 | 914 | 711 | 628.5 | 533 | 60 | 24-Φ35 | 2017 | 650 |
| 20" | 500 | 991 | 775 | 686 | 584 | 64 | 24-Φ35 | 2228 | 650 |
| 24" | 600 | 1143 | 914 | 813 | 692 | 70 | 24-Φ41 | 2650 | 700 |

Class 600LB 美标法兰闸阀

| 规格 inch | 尺寸(mm) | | | | | | | | |
|---------|--------|------|-----|-------|-----|-----|--------|------|------|
| | DN | L | D | D1 | D2 | B | Z-Φd | H | H |
| 1/2" | 15 | 165 | 95 | 66.5 | 35 | 15 | 4-Φ15 | 155 | 155 |
| 3/4" | 20 | 190 | 118 | 82.5 | 43 | 16 | 4-Φ19 | 160 | 160 |
| 1" | 25 | 216 | 124 | 89 | 51 | 18 | 4-Φ19 | 200 | 200 |
| 1 1/4" | 32 | 229 | 133 | 98.5 | 64 | 21 | 4-Φ19 | 250 | 250 |
| 1 1/2" | 40 | 241 | 156 | 114.5 | 73 | 23 | 4-Φ22 | 290 | 290 |
| 2" | 50 | 292 | 165 | 127 | 92 | 26 | 8-Φ19 | 350 | 350 |
| 2 1/2" | 65 | 330 | 190 | 149 | 105 | 29 | 8-Φ22 | 430 | 430 |
| 3" | 80 | 356 | 210 | 168 | 127 | 32 | 8-Φ22 | 470 | 470 |
| 4" | 100 | 432 | 273 | 216 | 157 | 38 | 8-Φ25 | 570 | 570 |
| 5" | 125 | 508 | 330 | 266.5 | 186 | 45 | 8-Φ29 | 700 | 700 |
| 6" | 150 | 559 | 356 | 292 | 216 | 48 | 12-Φ29 | 750 | 750 |
| 8" | 200 | 660 | 419 | 349 | 270 | 56 | 12-Φ32 | 830 | 830 |
| 10" | 250 | 787 | 508 | 432 | 324 | 64 | 16-Φ35 | 1210 | 1210 |
| 12" | 300 | 838 | 559 | 489 | 381 | 67 | 20-Φ35 | 1350 | 1350 |
| 14" | 350 | 889 | 603 | 527 | 413 | 70 | 20-Φ38 | 1600 | 1600 |
| 16" | 400 | 991 | 686 | 603 | 470 | 77 | 20-Φ41 | 1800 | 1800 |
| 18" | 450 | 1092 | 743 | 654 | 533 | 83 | 20-Φ44 | 2110 | 2110 |
| 20" | 500 | 1194 | 813 | 724 | 584 | 89 | 24-Φ22 | 2350 | 2350 |
| 24" | 600 | 1397 | 940 | 838 | 692 | 102 | 24-Φ52 | 2900 | 2900 |

暗杆闸阀
Non-Rising stem gate valve

Z45/445/545/645/945H/W/Y



产品简介

暗杆不锈钢闸阀, 替代传统铸铁阀门, 结构紧凑、设计合理, 阀门刚性好, 通道流畅, 流量系数大流阻系数小, 结构简单、便于维修。型号为Z45H-10C, Z45W-16P, Z45W-25R。它的密封面采用不锈钢和硬质合金, 使用寿命长。采用柔性石墨填料, 密封可靠、操作轻便灵活。是指关闭件(闸板)沿通路中心线的垂直方向移动的阀门, 闸阀在管路中主要作切断用。动作灵活可靠, 密封性能优良。

产品特点

1. 结构紧凑、设计合理, 阀门刚性好, 通道流畅, 流阻系数小;
2. 密封面采用不锈钢和硬质合金, 使用寿命长;
3. 采用柔性石墨填料, 密封可靠、操作轻便灵活;
4. 驱动形式: 手动、电动、齿轮传动;
5. 结构形式: 弹性楔式单闸板, 刚性楔式单闸板和双闸板式;
6. 广泛用于石油化工, 火力发电厂等油品, 水蒸汽管路上作接通或截断管路中介质的启闭装置。

Product Introduction

Non rising stainless steel gate valve, replacing traditional cast iron valve, has a compact structure, reasonable design, good valve rigidity, smooth channel, large flow coefficient, small flow resistance coefficient, simple structure, and easy maintenance. The model is Z45H-10C, Z45W-16P, Z45W-25R. Its sealing surface is made of stainless steel and hard alloy, with a long service life. Adopting flexible graphite filler, reliable sealing, and easy and flexible operation. Refers to A valve that moves vertically along the centerline of a passage with a closing element (gate). Gate valves are mainly used for cutting off in pipelines. Flexible and reliable operation, excellent sealing performance.

Product Features

1. Compact structure, reasonable design, good valve rigidity, smooth channel, and low flow resistance coefficient;
2. The sealing surface is made of stainless steel and hard alloy, with a long service life;
3. Adopting flexible graphite filler, reliable sealing, and easy and flexible operation;
4. Drive form: manual, electric, gear transmission;
5. Structural form: elastic wedge single gate, rigid wedge single gate, and double gate types;
6. It is widely used in petrochemical industry, fossil-fuel power station and other oil products, as well as in the steam pipeline as a hoist to connect or cut off the medium in the pipeline.

主要零部件材料 Main component materials

| 名称 Name | 材料 Material Science |
|---|--|
| 阀体 Valve body | 不锈钢、灰铸铁、铸钢 Stainless steel, gray cast iron, cast steel |
| 闸板 Ram | 不锈钢外覆三元乙丙或丁腈橡胶 Stainless steel coated with EPDM or nitrile rubber |
| 内六角螺栓 Hexagon socket bolt | 碳化处理 Carbonization treatment |
| 密封圈 Seal ring | 丁腈橡胶 Nitrile rubber |
| 阀盖 Valve cover | 不锈钢、灰铸铁、铸钢 Stainless steel, gray cast iron, cast steel |
| 阀杆 Valve stem | 不锈钢 stainless steel |
| "O"形密封圈 O-ring seal | 丁腈橡胶 Nitrile rubber |
| 止推轴承 Thrust bearing | 锡青铜 Tin bronze |
| 螺栓 Bolt | 不锈钢 stainless steel |
| 压盖 Gland | 不锈钢、铸钢 Stainless steel, cast steel |
| 防尘罩 Dust cover | 丁腈橡胶 Nitrile rubber |
| 手轮(传动帽) Handwheel (transmission cap) | 铸铁 cast iron |

主要技术参数 Main technical parameters

| | |
|-----------------------------|--------------------------------|
| 公称压力 Name | 1.0 ~ 2.5MPa |
| 工作温度 Valve body | 0 ~ 80°C |
| 法兰标准 Ram | GB/T 17241.6 GB9113 |
| 公称通径 Hexagon socket bolt | 50 ~ 600mm |
| 适用介质 Seal ring | 水、油、气等 Water, oil, gas, etc |
| 试验标准 Valve cover | GB13927 Ap1598 |

暗杆闸阀
Non-Rising stem gate valve

Z45H/W/Y

PN10 暗杆闸阀

| 公称通径 DN(mm) | L | D | D1 | D2 | b-f | z-φd | H | Do |
|----------------|-----|-----|-----|-----|------|--------|------|-----|
| 15 | 130 | 95 | 65 | 45 | 12-2 | 4-φ14 | 150 | 120 |
| 20 | 150 | 105 | 75 | 55 | 14-2 | 4-φ14 | 165 | 120 |
| 25 | 160 | 115 | 85 | 65 | 14-2 | 4-φ14 | 180 | 140 |
| 32 | 180 | 135 | 100 | 78 | 16-2 | 4-φ18 | 230 | 160 |
| 40 | 165 | 145 | 110 | 85 | 18-3 | 4-φ18 | 260 | 180 |
| 50 | 180 | 160 | 125 | 100 | 18-3 | 4-φ18 | 315 | 180 |
| 65 | 195 | 180 | 145 | 120 | 20-3 | 4-φ18 | 335 | 220 |
| 80 | 210 | 195 | 160 | 135 | 20-3 | 4-φ18 | 370 | 240 |
| 100 | 230 | 215 | 180 | 155 | 22-3 | 8-φ18 | 410 | 240 |
| 125 | 255 | 245 | 210 | 185 | 24-3 | 8-φ18 | 465 | 280 |
| 150 | 280 | 280 | 240 | 210 | 24-3 | 8-φ23 | 505 | 300 |
| 200 | 330 | 335 | 295 | 265 | 24-3 | 8-φ23 | 606 | 350 |
| 250 | 380 | 390 | 350 | 320 | 26-3 | 12-φ23 | 705 | 400 |
| 300 | 420 | 440 | 400 | 368 | 26-3 | 12-φ23 | 820 | 400 |
| 350 | 450 | 500 | 460 | 428 | 26-3 | 16-φ23 | 930 | 450 |
| 400 | 480 | 565 | 515 | 482 | 26-3 | 16-φ26 | 1030 | 450 |
| 450 | 510 | 615 | 565 | 532 | 28-3 | 20-φ26 | 1150 | 500 |
| 500 | 540 | 670 | 650 | 585 | 28-3 | 20-φ26 | 1260 | 550 |
| 600 | 600 | 780 | 725 | 685 | 34-3 | 20-φ30 | 1380 | 600 |

PN16 暗杆闸阀

| | | | | | | | | |
|-----|---------|-----|-----|-----|------|--------|------|-----|
| 15 | 130 | 95 | 65 | 45 | 14-2 | 4-φ14 | 150 | 120 |
| 20 | 150 | 105 | 75 | 55 | 14-2 | 4-φ14 | 165 | 120 |
| 25 | 160 | 115 | 85 | 65 | 14-2 | 4-φ14 | 180 | 140 |
| 32 | 180 | 135 | 100 | 78 | 16-2 | 4-φ18 | 230 | 160 |
| 40 | 200 | 145 | 110 | 85 | 16-3 | 4-φ18 | 260 | 180 |
| 50 | 250 | 160 | 125 | 100 | 16-3 | 4-φ18 | 315 | 240 |
| 65 | 265/270 | 180 | 145 | 120 | 18-3 | 4-φ18 | 335 | 240 |
| 80 | 280 | 195 | 160 | 135 | 20-3 | 8-φ18 | 370 | 280 |
| 100 | 300 | 215 | 180 | 155 | 20-3 | 8-φ18 | 410 | 300 |
| 125 | 325 | 245 | 210 | 185 | 22-3 | 8-φ18 | 465 | 320 |
| 150 | 350 | 280 | 240 | 210 | 24-3 | 8-φ23 | 505 | 350 |
| 200 | 400 | 335 | 295 | 265 | 26-3 | 12-φ23 | 606 | 400 |
| 250 | 450 | 405 | 355 | 320 | 30-3 | 12-φ26 | 705 | 450 |
| 300 | 500 | 460 | 410 | 375 | 30-4 | 12-φ26 | 820 | 500 |
| 350 | 550 | 520 | 470 | 435 | 34-4 | 16-φ26 | 930 | 550 |
| 400 | 600 | 580 | 525 | 485 | 36-4 | 16-φ30 | 1030 | 550 |
| 450 | 650 | 640 | 585 | 545 | 40-4 | 20-φ30 | 1150 | 600 |
| 500 | 700 | 705 | 650 | 608 | 44-4 | 20-φ34 | 1260 | 700 |
| 600 | 800 | 840 | 770 | 718 | 48-4 | 20-φ41 | 1380 | 800 |

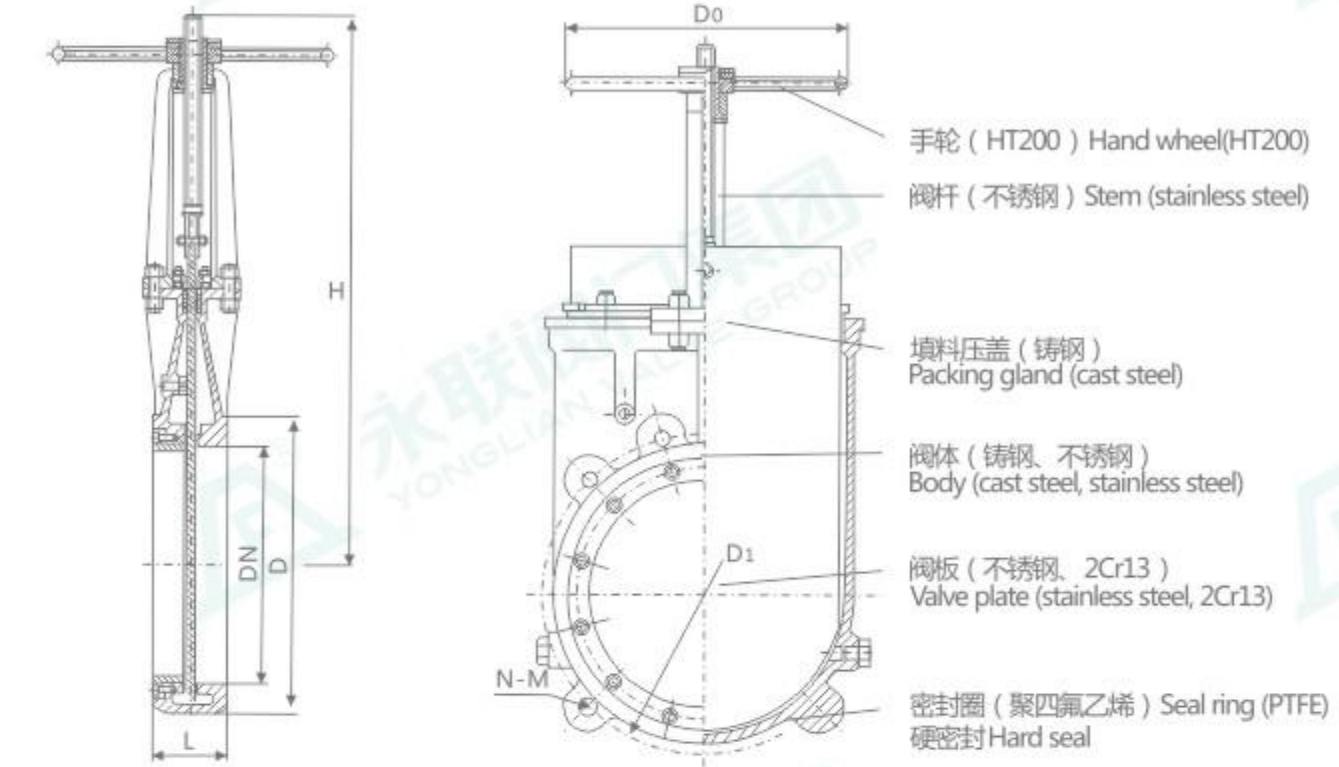
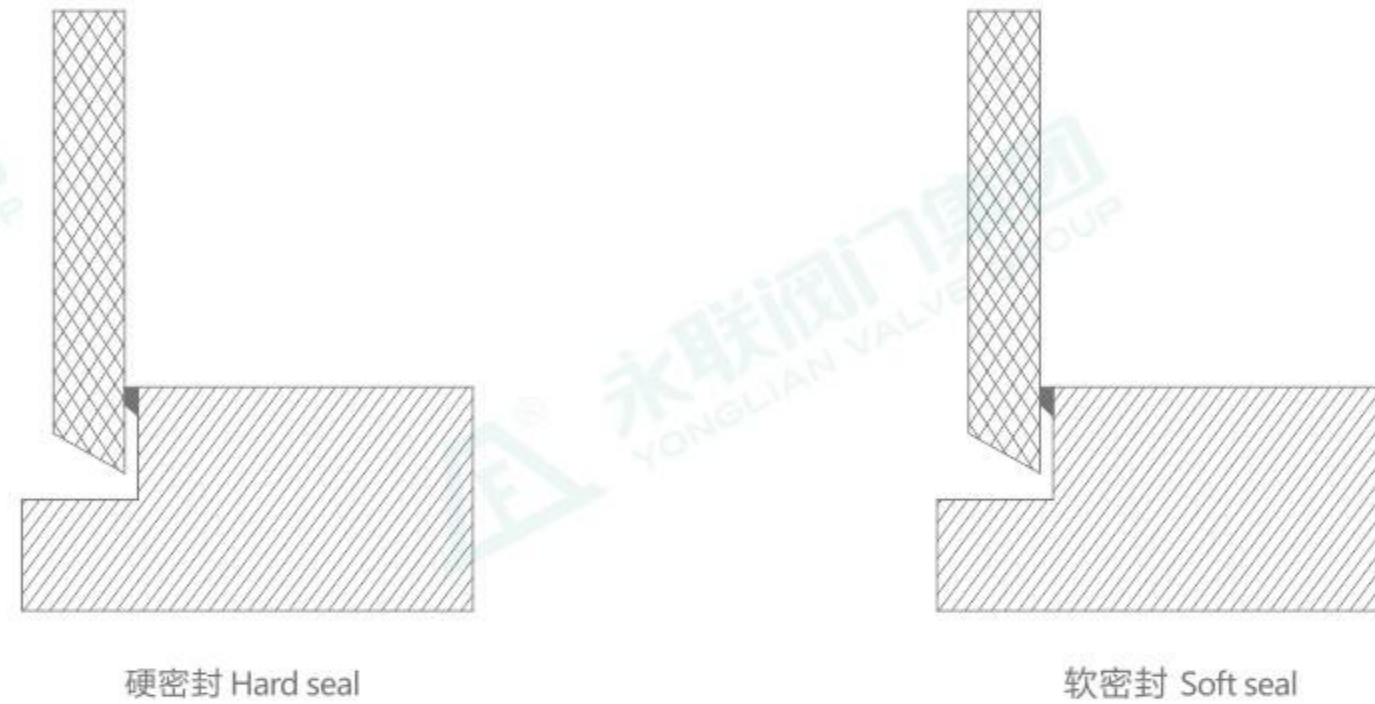
PN25 暗杆闸阀

| | | | | | | | | |
|-----|---------|-----|-----|-----|------|--------|------|-----|
| 15 | 130 | 95 | 65 | 45 | 16-2 | 4-φ14 | 150 | 120 |
| 20 | 150 | 105 | 75 | 55 | 16-2 | 4-φ14 | 165 | 120 |
| 25 | 160 | 115 | 85 | 65 | 16-2 | 4-φ14 | 180 | 140 |
| 32 | 180 | 135 | 100 | 78 | 18-2 | 4-φ18 | 230 | 160 |
| 40 | 200 | 145 | 110 | 85 | 18-3 | 4-φ18 | 260 | 180 |
| 50 | 250 | 160 | 125 | 100 | 20-3 | 4-φ18 | 315 | 240 |
| 65 | 265/270 | 180 | 145 | 120 | 22-3 | 8-φ18 | 335 | 240 |
| 80 | 280 | 195 | 160 | 135 | 22-3 | 8-φ18 | 370 | 280 |
| 100 | 300 | 230 | 190 | 160 | 24-3 | 8-φ23 | 410 | 300 |
| 125 | 325 | 270 | 220 | 188 | 28-3 | 8-φ26 | 465 | 320 |
| 150 | 350 | 300 | 250 | 218 | 30-3 | 8-φ26 | 550 | 350 |
| 200 | 400 | 360 | 310 | 278 | 34-3 | 12-φ26 | 606 | 400 |
| 250 | 450 | 425 | 370 | 332 | 36-3 | 12-φ30 | 705 | 450 |
| 300 | 500 | 485 | 430 | 390 | 40-4 | 16-φ30 | 820 | 500 |
| 350 | 550 | 550 | 490 | 448 | 44-4 | 16-φ34 | 930 | 550 |
| 400 | 600 | 610 | 550 | 505 | 48-4 | 16-φ36 | 1030 | 550 |
| 450 | 650 | 660 | 600 | 555 | 50-4 | 20-φ36 | 1150 | 600 |
| 500 | 700 | 730 | 660 | 610 | 52-4 | 20-φ41 | 1260 | 700 |
| 600 | 800 | 840 | 770 | 718 | 56-5 | 20-φ41 | 1380 | 800 |

刀形浆闸阀说明

Description of knife type gate valve

PZ73^X_{H-1.6} 对夹刀形排渣阀
Clamping knife - shaped slag valve



产品概述 Product overview

- 1、刀形浆闸阀按照口径不同制成暗杆和明杆两种形式（暗杆DN200~900mm,明杆DN50~900mm），全圆形的直流通道设计不存渣、不卡阻。刀板底端加工成刀刃状，对松软物料如纤维、纸浆、木浆具有切断功能，同时有良好开启和关闭作用。在刀板上端安装有硬聚氯乙烯刮泥器，可防止粉尘、砂砾等磨蚀性物质进入填料盒，可显著提高刀板寿命。阀板材质选用不锈钢、精磨抛光处理可获得最佳密封效果。
- 2、阀体、填料函为精密铸造，其中阀体采用凸缘式整体铸造，不锈钢、硬质合金材质可根据用户需要选用304、316、316L、WCB、2Cr13,密封圈采用PTFE增强聚四氟乙烯材质，耐腐蚀、耐磨损、不沾渣。
- 3、阀板有5个支撑点，使阀板有很好的自对中。当阀门处于关闭状态，并承受背压时，阀板不发生偏移。
- 4、刀形浆闸阀可以配置手轮、手动拉链、正齿轮传动、伞齿轮传动、气动和电动。
- 5、刀形浆闸阀内部可制成V形、三角形、五角形通道，以适应流体调节控制要求。
- 6、刀形浆闸阀连接形式有对夹式、法兰支耳式，密封有金属对金属硬密封、金属对聚胺脂、带增强的聚四氟乙烯；软密封。

- 1,Slurry knife gate valve in accordance with the caliber of different-shaped dark bar and the next shot is made in two forms (dark bar DN200 ~ 900mm, clear shot DN50 ~ 900mm), full circle design of the DC channel residue does not exist, no jamming. Knife blade-like plate at the bottom of processed, on soft materials such as fiber, pulp, wood pulp has a cutting function, while the role of a good opening and dosing. Knife board installed in the top of the hard Teflon scraper device, to prevent dust, sand and other substances into the packing box scratch can significantly increase the life of blades. Valve plate material selection of stainless steel, grinding polished for best sealing effect.
- 2, Valve, filling culvert for the precision casting, in which the whole body with flange-type casting, stainless steel, hard alloy material can be selected according to user needs 304,316,316 L, WCB, 2Cr13, enhanced PTFE seals with PTFE vinyl material, corrosion, wear, do not stick residue.
- 3, Valve plate has five support points,so a very good disc from the middle.When the valve is at the off-position,when and withstands the back pressure,the valve board does not have the displacement.
- 4, Slurry knife gate valve can be configured to hand-shaped wheel, manual zipper, spur gear drive, bevel gear, pneumatic and electric.
- 5, Knife gate slurry form can be made within the V-shaped, triangular, pentagonal channels to meet the requirements of fluid regulation and control.
- 6, Knife-shaped connection in the form of slurry valve wafer type, flange supporting ear, sealed with metal on metal seal, metal on polyurethane, with enhanced PTFE; soft seal.

工作温度：软密封（PTFE）：-40℃~230℃
碳素钢：-29℃~425℃
不锈钢：-40℃~600℃
铬钼钒钢：≤550℃
工作压力：0.6、1.0、1.6MPa
执行标准：设计按JB/T8691-1998
法兰按GB/T9113.1-2000
结构长度按GB/T15188.2-94
试验和验收按GB/T13927

Working temperature: Soft Seal (PTFE): -40℃ - 230℃
Carbon steel: -29℃ - 425℃
Stainless steel: -40℃ - 600℃
Chrome molybdenum Vanadium Steel: ≤550℃
Working pressure: 0.6, 1.0, 1.6 MPa
Executive standard: Design by JB/T8691-1998
Flange by GB/T9113.1-2000
Structural length according to GB/T15188.2-94
Test and acceptance by GB/T13927

适用介质 Applicable medium

金矿粉、尾矿、纸浆、木浆、纤维、粉尘、化学品处理污水、沉淀池、矿砂、炉渣、煤泥、沥青、料仓出口、水果、谷物、水泥浆、屠宰厂废水、气动输送管线或啤酒酿制的介质。
Gold powder, tailings, pulp, wood pulp, fibers, dust, chemicals, sewage treatment, settling ponds, ore, slag, slime, asphalt, bunker exit, fruits, grains, cement, slaughter house wastewater, air transport pipeline or beer brewed in the media.

产品特点 Product characteristic

设计紧凑、占据空间小、重量轻、价格便宜、易于安装、耐磨防堵措施完善、便于维修、使用方便及寿命长，并且可任意选用驱动装置。
Compact design, small footprint, light weight, inexpensive, easy to install, aiming to halt the measures to improve the wear resistance, easy maintenance, easy to use and long life, and can be arbitrarily selected drive.

主要性能规范 Main Performance Specifications

| 公称压力 PN(MPa) | 试验压力 Test pressure (MPa) | | 工作温度 Working temperature (°C) | 适用介质 Applicable medium |
|-----------------|--------------------------|---------|-------------------------------------|---|
| | 壳体 Case | 密封 Seal | | |
| 1.0 | 1.5 | 1.1 | 橡胶 ≤100°C | 炉渣、纸浆、污水、煤渣、灰渣、泥浆、油类 Slag, pulp, sewage, cinder, ash, mud, oil |
| 1.6 | 2.4 | 1.8 | H _Y ≤425°C | |

主要性能规范 Main Performance Specifications

| 体、盖 Body, cover | 闸板 Gate | 阀杆 Stem | 密封面 Sealing surface |
|---|---|------------------------|---|
| 不锈钢、碳钢、灰铸铁 Stainless steel, carbon steel, gray cast iron | 碳钢、不锈钢 Carbon steel, stainless steel | 不锈钢 Stainless steel | 橡胶、四氟、不锈钢、硬质合金 Rubber, PTFE, stainless steel, hard alloy |

主要外形及连接尺寸 Main external and connection dimension

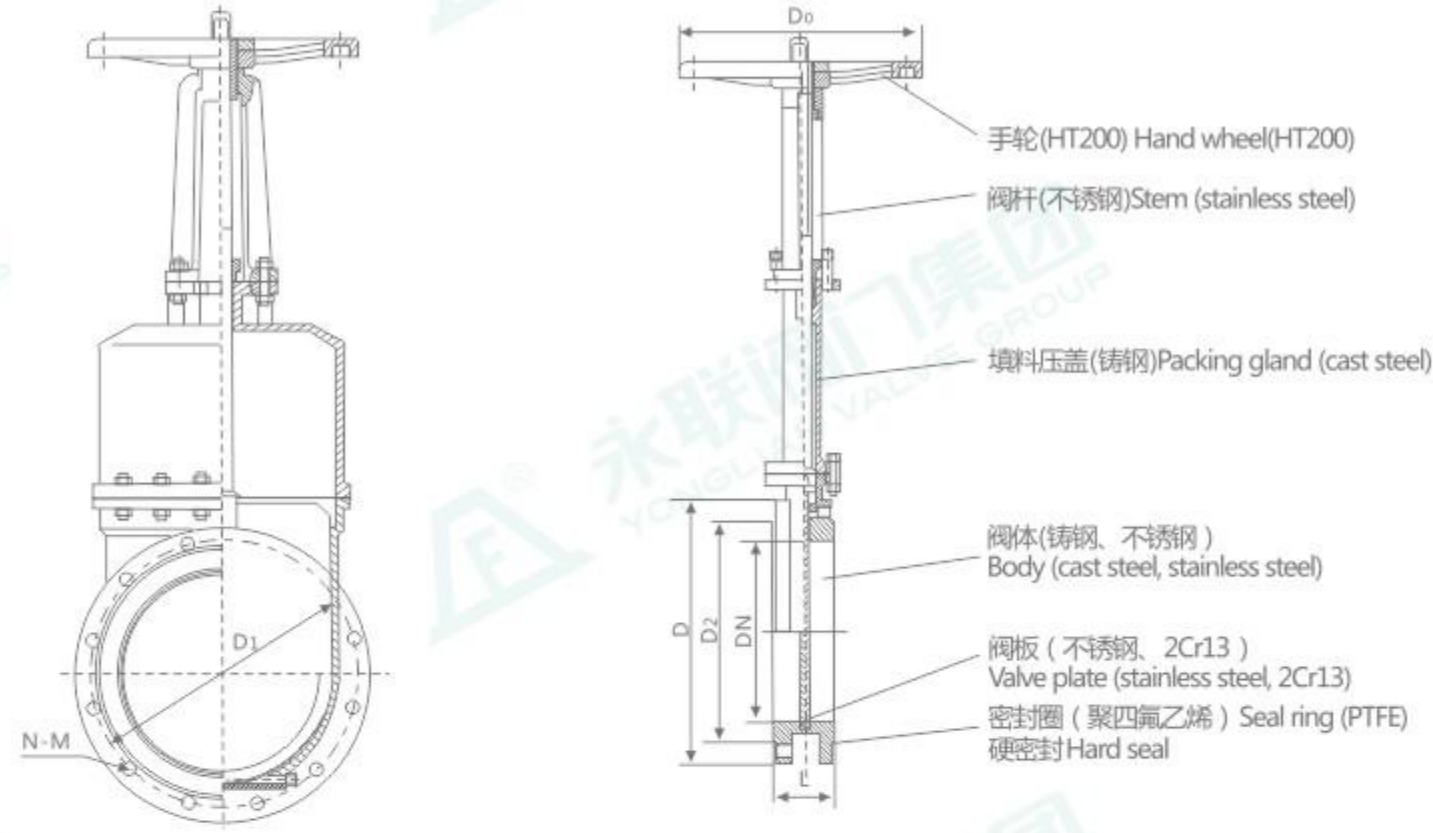
JB/T82.1

| 公称压力 PN(MPa) | 公称通径 DN(mm) | 尺寸 Size (mm) | | | | | | |
|-----------------|----------------|--------------|-----|-----|------|--------|--------|-----|
| | | L | D | D1 | D2 | H | N-M | D0 |
| 1.0 | 50 | 60 | 160 | 125 | 100 | 300 | 4-M16 | 180 |
| | 65 | 60 | 180 | 145 | 120 | 320 | 4-M16 | 180 |
| | 80 | 70 | 195 | 160 | 135 | 340 | 4-M16 | 220 |
| | 100 | 71 | 215 | 180 | 155 | 390 | 8-M16 | 220 |
| | 125 | 71 | 245 | 210 | 185 | 430 | 8-M16 | 230 |
| | 150 | 80 | 280 | 240 | 210 | 510 | 8-M20 | 280 |
| | 200 | 80 | 335 | 295 | 265 | 580 | 8-M20 | 360 |
| | 250 | 94 | 390 | 350 | 320 | 680 | 12-M20 | 360 |
| | 300 | 98 | 440 | 400 | 368 | 840 | 12-M20 | 400 |
| | 350 | 100 | 500 | 460 | 428 | 950 | 16-M20 | 400 |
| | 400 | 110 | 565 | 515 | 482 | 1050 | 16-M22 | 400 |
| | 450 | 120 | 615 | 565 | 532 | 1170 | 20-M22 | 530 |
| 500 | 130 | 670 | 620 | 585 | 1280 | 20-M22 | 530 | |
| 600 | 140 | 780 | 725 | 685 | 1490 | 20-M27 | 600 | |

注：根据用户要求可生产全密封带防尘罩浆渣闸阀，主要应用于矿山、水泥、化工、食品等行业。
Note: According to user requirements to produce slurry sealed gate valve with dust cover, mainly used in mining, cement, chemical, food and other industries.

刀形浆闸阀说明

Description of knife type gate valve



主要性能规范 Main Performance Specifications

| 公称压力 PN(MPa) | 试验压力 (MPa) | | 工作温度 Working temperature (°C) | 适用介质Applicable medium |
|-----------------|------------|--------|-------------------------------------|---|
| | 壳体Case | 密封Seal | | |
| 1.0 | 1.5 | 1.1 | 橡胶≤80°C | 炉渣、纸浆、污水、煤渣、灰渣、泥浆、油类 Slag, pulp, sewage, cinder, ash, mud, oil |
| 1.6 | 2.4 | 1.8 | 1/2 ≤ 425°C | |

主要性能规范 Main Performance Specifications

| 体、盖Body, cover | 闸板Gate | 阀杆Stem | 密封面Sealing surface |
|---|---|------------------------|---|
| 不锈钢、碳钢、灰铸铁 Stainless steel, carbon steel, gray cast iron | 碳钢、不锈钢 Carbon steel, stainless steel | 不锈钢 Stainless steel | 橡胶、四氟、不锈钢、硬质合金 Rubber, PTFE, stainless steel, hard alloy |

主要外形及连接尺寸 Main external and connection dimension

JB/T82.1

| 公称压力 PN(MPa) | 公称口径 DN(mm) | 尺寸Size (mm) | | | | | | | 重量 (Kg) |
|-----------------|----------------|-------------|------|------|------|------|--------|-----|---------|
| | | L | D | D1 | D2 | H | N-M | D0 | |
| 1.0 | 150 | 70 | 280 | 240 | 210 | 580 | 8-M23 | 280 | |
| | 200 | 80 | 335 | 295 | 265 | 710 | 8-M23 | 360 | |
| | 250 | 85 | 390 | 350 | 320 | 800 | 12-M23 | 360 | |
| | 300 | 100 | 440 | 400 | 368 | 960 | 12-M23 | 400 | |
| | 350 | 100 | 500 | 460 | 428 | 1110 | 16-M23 | 400 | |
| | 400 | 110 | 565 | 515 | 482 | 1220 | 16-M25 | 400 | |
| | 450 | 120 | 615 | 565 | 532 | 1350 | 20-M25 | 550 | |
| | 500 | 130 | 670 | 620 | 585 | 1460 | 20-M25 | 550 | |
| | 600 | 140 | 780 | 725 | 685 | 1680 | 20-M30 | 550 | |
| | 700 | 165 | 895 | 840 | 800 | 1850 | 24-M27 | 600 | |
| | 800 | 190 | 1010 | 950 | 905 | 2180 | 24-M30 | 600 | |
| | 900 | 200 | 1110 | 1050 | 1005 | 2280 | 28-M30 | 600 | |

明杆支耳式PZ43刀形闸阀

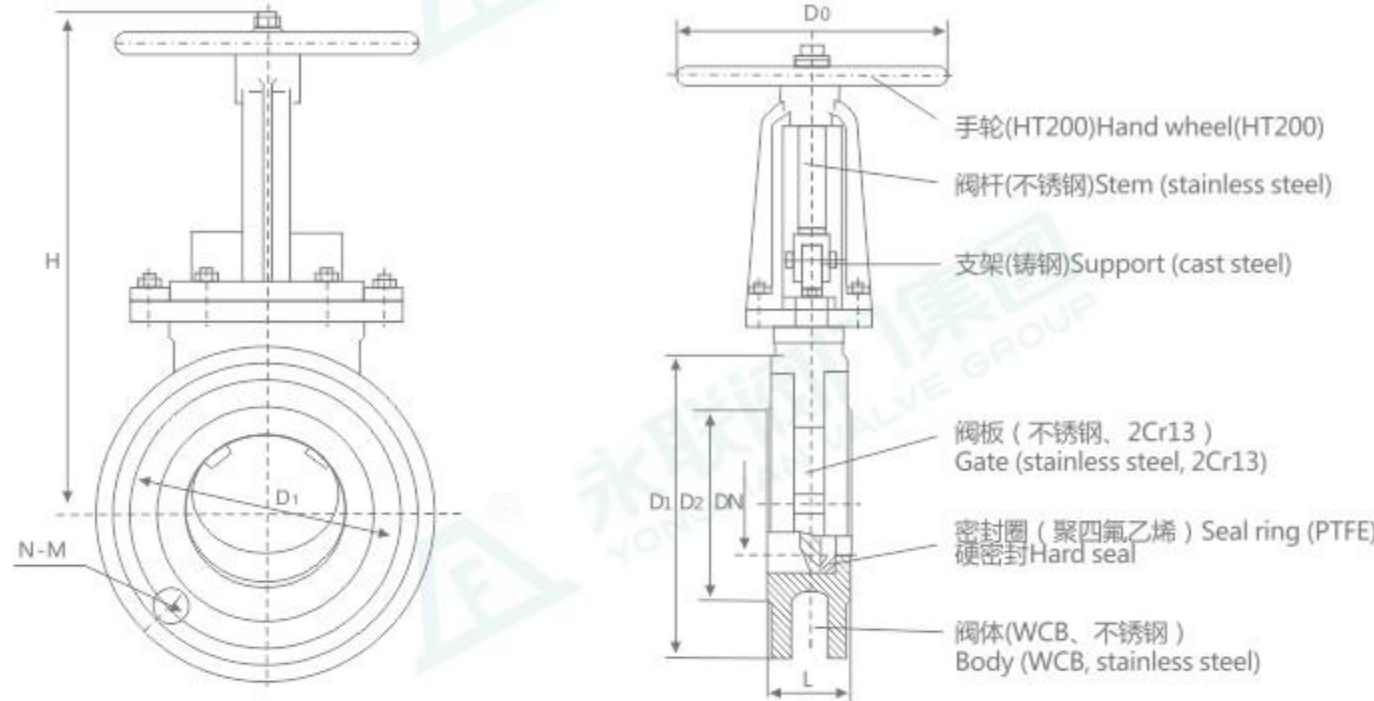
Rising stem lug type PZ43 knife gate valve

部件材质剖析说明 Component material analysis shows

| 代号Code | 零件名称Part name | 材质说明 Material quality explanation | |
|--------|-------------------|---|---|
| | | 名称Name | 牌号Trademark |
| 1 | 圆螺母Round nut | 优质碳素钢Quality carbon steel | 25 |
| 2 | 手轮Hand wheel | 灰口铸铁Gray cast iron | HT200 |
| 3 | 轴承压盖Bearing gland | 优质碳素钢Quality carbon steel | 35 |
| 4 | 阀杆螺母Stem nut | 铝青铜Aluminum bronze | ZCuAl9Mn2、ZCuAl9Fe4NiMn2 |
| | | 铝黄铜Aluminum brass | ZCuZn25Al6Fe3Mn3 |
| 5 | 轴承Bearing | - | 51110 |
| 6 | 阀杆Stem | 不锈钢Stainless steel | 304、316、2Cr13 |
| 7 | 支架Support | 碳素钢、不锈钢 Carbon steel, stainless steel | WCB、CF8等 |
| 8 | 闸板Damper plate | 不锈钢Stainless steel | 304、316、304L、316L、2Cr13 |
| 9 | 螺栓螺母Bolt nut | 优质碳素钢Quality carbon steel | 35/25 |
| 10 | 填料压盖Packing cover | 碳素钢Carbon Steel | WCB |
| 11 | 填料Packing | 柔性石墨盘根石棉盘根 增强四氟纤维盘根 Flexible graphite packingAsbestos PackingEnhanced PTFE fiber packing | - |
| 12 | 阀体Body | 碳素钢、不锈钢 Carbon steel, stainless steel | WCB、CF8(304)、CF3(304L)、CF8M(316)、 CF3M(316L)、密封座堆焊合金或不锈钢 Seal surfacing alloy or stainless steel seat |

Z73^X_{F-1.6} 手动刀形闸阀
Manual knife gate valve

平板闸阀
Flat gate valve



主要性能规范 Main Performance Specifications

| 公称压力 PN(MPa) | 试验压力 (MPa) | | 工作温度 Working temperature (°C) | 适用介质Applicable medium |
|-----------------|------------|--------|-------------------------------------|--|
| | 壳体Case | 密封Seal | | |
| 1.0 | 1.5 | 1.1 | 橡胶≤80°C | 糖浆、纸浆、污水、煤浆、灰、渣水混合物 Syrup, pulp, sewage, coal slurry, ash, slag-water mixture |
| 1.6 | 2.4 | 1.8 | H≤425°C | |

主要性能规范 Main Performance Specifications

| 体、盖Body, cover | 闸板Gate | 闸杆Stem | 密封面Sealing surface |
|---|---|------------------------|---|
| 不锈钢、碳钢、灰铸铁 Stainless steel, carbon steel, gray cast iron | 碳钢、不锈钢 Carbon steel, stainless steel | 不锈钢 Stainless steel | 橡胶、四氟、不锈钢、硬质合金 Rubber, PTFE, stainless steel, hard alloy |

主要外形及连接尺寸 Main external and connection dimension

JB/T79.1/82.1

| 公称压力 PN(MPa) | 公称口径 DN(mm) | 尺寸Size (mm) | | | | | | | | 重量 (Kg) |
|-----------------|----------------|-------------|------|------|------|--------|--------|-----|------|---------|
| | | L | D | D1 | D2 | H | N-M | D0 | | |
| 1.0 | 50 | 50 | 160 | 125 | 100 | 285 | 4-M16 | 180 | 6 | |
| | 65 | 50 | 180 | 145 | 120 | 298 | 4-M16 | 180 | 7 | |
| | 80 | 50 | 195 | 160 | 135 | 315 | 4-M16 | 220 | 8 | |
| | 100 | 50 | 215 | 180 | 155 | 365 | 8-M16 | 220 | 10 | |
| | 125 | 50 | 245 | 210 | 185 | 400 | 8-M16 | 230 | 12 | |
| | 150 | 60 | 280 | 240 | 210 | 475 | 8-M20 | 280 | 14 | |
| | 200 | 60 | 335 | 295 | 265 | 540 | 8-M20 | 360 | 22 | |
| | 250 | 70 | 390 | 350 | 320 | 630 | 12-M20 | 360 | 29 | |
| | 300 | 80 | 440 | 400 | 368 | 780 | 12-M20 | 400 | 38 | |
| | 350 | 90 | 500 | 460 | 428 | 885 | 16-M20 | 400 | 66 | |
| | 400 | 100 | 565 | 515 | 482 | 990 | 16-M22 | 400 | 100 | |
| | 450 | 120 | 615 | 565 | 532 | 1100 | 20-M22 | 530 | 119 | |
| | 500 | 130 | 670 | 620 | 585 | 1200 | 20-M22 | 530 | 195 | |
| | 600 | 140 | 780 | 725 | 685 | 1450 | 20-M27 | 600 | 285 | |
| 700 | 165 | 895 | 840 | 800 | 1700 | 24-M27 | 600 | 389 | | |
| 800 | 190 | 1010 | 950 | 905 | 2000 | 24-M30 | 680 | 529 | | |
| 900 | 203 | 1110 | 1050 | 1005 | 2300 | 28-M30 | 680 | 790 | | |
| 1.6 | 50 | 50 | 160 | 125 | 100 | 285 | 4-M16 | 180 | 6 | |
| | 65 | 50 | 180 | 145 | 120 | 295 | 4-M16 | 180 | 7 | |
| | 80 | 50 | 195 | 160 | 135 | 315 | 4-M16 | 220 | 8.5 | |
| | 100 | 50 | 215 | 180 | 155 | 365 | 8-M16 | 220 | 10.7 | |
| | 125 | 50 | 245 | 210 | 185 | 400 | 8-M16 | 230 | 13 | |
| | 150 | 60 | 280 | 240 | 210 | 475 | 8-M20 | 280 | 15 | |
| | 200 | 60 | 335 | 295 | 265 | 540 | 12-M20 | 360 | 23.5 | |
| | 250 | 70 | 405 | 355 | 320 | 630 | 12-M22 | 360 | 31 | |
| | 300 | 80 | 460 | 410 | 375 | 780 | 12-M22 | 400 | 40.7 | |
| | 350 | 90 | 520 | 470 | 435 | 885 | 16-M22 | 400 | 70 | |
| | 400 | 100 | 580 | 525 | 485 | 990 | 16-M27 | 400 | 107 | |
| | 450 | 120 | 640 | 585 | 545 | 1100 | 20-M27 | 530 | 129 | |
| | 500 | 130 | 705 | 650 | 608 | 1200 | 20-M30 | 530 | 215 | |
| | 600 | 140 | 840 | 770 | 718 | 1450 | 20-M36 | 600 | 305 | |
| 700 | 165 | 910 | 840 | 788 | 1700 | 24-M36 | 600 | 410 | | |
| 800 | 190 | 1020 | 950 | 898 | 2000 | 24-M36 | 680 | 550 | | |
| 900 | 203 | 1120 | 1050 | 998 | 2300 | 28-M36 | 680 | 820 | | |

注: MPa1.6阀门选型按上表, 法兰连接尺寸按国际, 电动、正齿轮、气动阀门选型H尺寸增加气动、电动装置高度。
Note: MPa1.6 valve selection according to the table, flange connecting dimensions according to the international, power, gear, pneumatic valve size selection of H increased air, electric plant height.

平板闸阀的主要特点 The main features of plate gate valve

- 1、本公司引进国外平板闸阀的先进技术, 进行了重大的改进, 其结构合理, 密封可靠, 维护方便。
- 2、闸板、阀座经特殊工艺处理、喷焊硬质合金, 聚四氟乙烯, 实现双重密封。并可注油脂辅助密封双重保护, 密封更可靠, 使用寿命更长。
- 3、本阀独有三重可调式填料结构, 确保与阀盖、阀杆密封可靠。法兰连接尺寸按JB/T79, 亦可根据客户要求指定标准生产。
- 4、有导流孔平板闸阀用于需通球清管的管线, 无导流孔的平板闸阀用于不需通球清管的管线上。
- 5、阀门阀体内腔内压力升高时, 阀座可自动退让泄掉过高的压力。
- 6、本阀传动机构确保阀门启闭灵活, 其启闭力矩仅为普通阀门的1/3~1/2。
- 7、气动闸阀启、闭迅速, 带缓冲机构, 开闭无冲击, 气动、手动转换结构新颖、操作灵活、方便可靠。
- 8、调节型平板闸阀适用于泵、站出口及其它需调节介质的管路上, 调节和截断介质。
- 9、本阀可广泛适用于天然气、石油、化工、环保等输送管线、放空系统和油、汽储存装置上, 用作启闭设备。
- 10、本公司同时还生产调节型等特殊要求的平板闸阀。
- 11、电动平板闸阀一般选用扬州电力修造厂或天津二通的电动头, 也可根据用户需要选配英国罗托克Rotork(IQ)系列、德国欧玛Aul(SA系列)或由客户在国内选配任何厂家的电动头。

1. The company has introduced foreign advanced technology of flat gate valve and made significant improvement. Its structure is reasonable, sealing is reliable and maintenance is convenient.
2. Gate and seat are processed by special process and sprayed with cemented carbide and polytetrafluoroethylene to achieve double sealing. And can grease auxiliary seal double protection, seal more reliable, longer service life.
3. The unique triple adjustable packing structure of this valve ensures reliable sealing with bonnet and stem. Flange connection size according to JB/T79, also according to customer requirements specified standards.
4. The plate gate valve with orifice is used in the pipeline requiring ball pigging, and the plate gate valve without orifice is used in the pipeline not requiring ball pigging.
5. valve body cavity pressure rise, the valve seat can be automatically back off from too high pressure.
6. the valve drive mechanism to ensure that the valve open and close flexibly, the opening and closing torque is only 1/3 ~ 1/2 of the ordinary valve.
7. pneumatic gate valve open and close quickly, with buffer mechanism, open and close without impact, pneumatic, manual conversion structure, flexible, convenient and reliable.
8. regulating type flat gate valve is suitable for pump, station outlet and other need to adjust the medium of the pipeline, regulation and cut off the medium.
9. the valve can be widely used in natural gas, petroleum, chemical, environmental protection and other transmission pipelines, vent system and oil, gas storage device, as a device for opening and closing.
10. The company also produces flat gate valves for regulating and other special requirements.
11. electric plate gate valve generally choose yangzhou electric power repair factory or tianjin ertong electric head, also according to the needs of users with Rotork(IQ) series, Germany omar Aul(SA series) or by customers in the domestic selection of any manufacturers electric head.

主要零件材料 Main parts material

| 零件名称 Part name | 材料Material | | | |
|-----------------------------------|---|---|--------------------|---------------------------|
| 阀体阀盖Body cover | WCB | I | CF8、CF8MCF3、CF3M | 抗硫WCB |
| 闸板Gate | 不锈钢板、合金板(表面经特殊处理或喷焊硬质合金) Stainless steel plate, alloy plate (a special treated surface or welding carbide) | 40Cr(密封面喷焊硬质合金) Welding carbide seal surface | 304L、316L | WCB+STL |
| 阀座(密封面) Seat (sealing surface) | 橡胶、氟塑料、不锈钢、渗氮钢、硬质合金 Rubber, fluorine plastic, stainless steel, nitriding steel cemented carbide | | | |
| 闸杆Stem | 不锈钢Stainless steel | 318钢Steel | 318钢Steel | 318钢Steel |
| 闸杆螺母Stem nut | 铝青铜Aluminum bronze | | | |
| 填料Packing | 膨胀石墨Expanded Graphite | 增强氟塑Enhance the fluorine | 聚四氟乙烯PTFE | F4、氟橡胶 Fluorine rubber |
| O形密封圈O-ring | 丁腈橡胶NBR | 丁腈橡胶NBR | 氟橡胶Fluorine rubber | 氟橡胶 Fluorine rubber |

性能规范和压力试验 Performance specifications and pressure test

| 压力等级 Pressure rating | 常温下试验压力Under normal temperature test pressure(MPa) | | | | 工作压力 Working pressure (MPa) | 适用温度 Applicable temperature (°C) | 适用介质Applicable medium | |
|---------------------------|--|-------------------|-----------------------|---------------------------|-----------------------------------|--|--------------------------|--|
| | 液体密封 Fluid sealing | 气体密封 Gas seals | 液体壳体 Fluid sealing | 低压密封 Low pressure seal | | | 抗硫型 Anti-sulfur | 基本型 Basic |
| 公称压力 (MPa) | 1.6 | 1.76 | 1.76 | 2.4 | 1.6 | 通用型 Universal -29 ~ 121 | 抗硫型 Anti-sulfur | 基本型 Basic |
| | 2.5 | 2.75 | 2.75 | 2.75 | | | | |
| | 4.0 | 4.4 | 4.4 | 6 | | | | |
| | 6.4 | 7.04 | 7.04 | 9.6 | | | | |
| | 10.0 | 11 | 11 | 15 | | | | |
| | 16.0 | 17.6 | 17.6 | 24 | | | | |
| | 25.0 | 27.5 | 27.5 | 37.5 | | | | |
| 磅级 Pound class (Lb) | 150 | 2.3 | 2.3 | 3.1 | 1.93 | D型 -46 ~ 121 | 含H2S和Co2≤ 800mg/Nm3介质 | 非腐蚀性 石油、天 然气、水等 Non-corrosive oil, gas, water, etc. |
| | 300 | 5.52 | 5.52 | 7.58 | | | | |
| | 400 | 7.31 | 7.31 | 10.0 | | | | |
| | 600 | 11.03 | 11.03 | 15.0 | | | | |
| | 900 | 16.54 | 16.54 | 22.4 | | | | |
| | 1500 | 27.5 | 27.5 | 37.5 | | | | |
| | 2250 | 44 | 44 | 60 | | | | |

Note: Electric or gear transmission, price to be calculated separately.